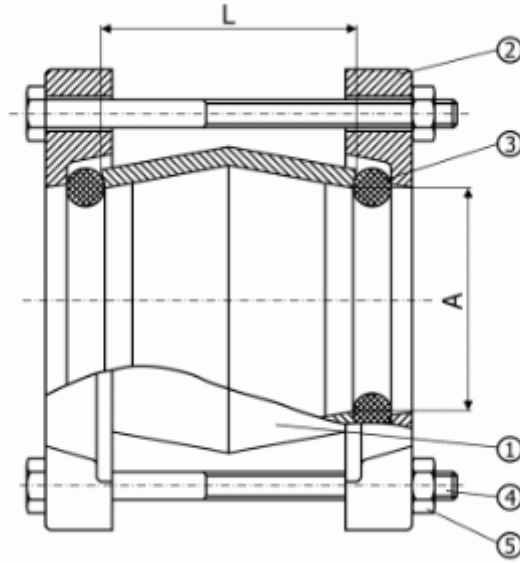




●Coupling



No.	Components	Number	Material
1	Collars	1	FCD 450
2	Ring, compressions	2	FCD 450
3	Rubber Gaskets	2	N.B.R.
4	Bolts	According to descend form	SUS 304
5	Nuts	According to descend form	Galvanized

Dim. Nom. Dia.	A	L	Bolts and Nuts		Weight
			Standards (Inch)	Number	
13 ~ 16	24	52	$\frac{3}{8} * 3\frac{1}{2}$	2	0.7
20	28	57	$\frac{3}{8} * 4$	2	0.8
25	34	60	$\frac{3}{8} * 4$	2	1.0
30	40	63	$\frac{3}{8} * 4\frac{1}{2}$	2	1.3
40	50	70	$\frac{1}{2} * 5$	2	2.0
50	63	80	$\frac{1}{2} * 5\frac{1}{2}$	2	2.7
65	79	90	$\frac{1}{2} * 6$	2	3.4
80	92	100	$\frac{1}{2} * 6\frac{1}{2}$	3	5.0
100	118	110	$\frac{1}{2} * 7$	3	6.3
125	144	130	$\frac{5}{8} * 8$	3	8.0
150	169	135	$\frac{5}{8} * 8$	3	10.4
200	221	150	$\frac{5}{8} * 9$	4	16.1
250	272	160	$\frac{5}{8} * 9\frac{1}{2}$	4	22.5
300	324	170	$\frac{5}{8} * 10$	6	29.7
350	376	190	$\frac{5}{8} * 11$	6	42.4
400	426	200	$\frac{5}{8} * 11$	6	53.0

Note: The specification and quantity of the bolts and nuts can request according to the customers.